



# ANJALI POLYMERS

## PIPE CONNECTOR

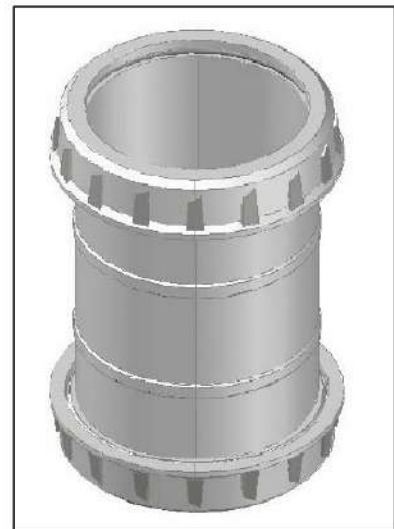
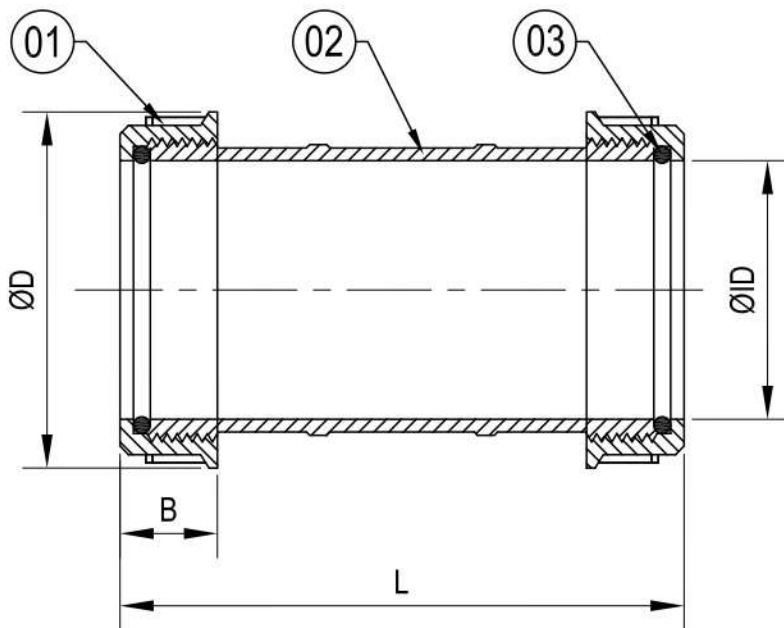
### TECHNICAL DATA

MATERIAL OF CONSTRUCTION : PP (POLYPROPYLENE) ,

END CONNECTIONS : SOCKET THREADED DIMENSION AS PER ISO-7-1 / IS-554/BS-21 - PLAIN CONNECTION REQUIRED PVC PIPE SIZE :

MAX. WORKING TEMP. : 70° C (CONSISTENTLY) | HYD. TEST PRESSURE : 150 PSI

SIZE : 75 MM



75 MM

SUITABLE FOR WATER SUPPLY

SR NO.	DESCRIPTION	MATERIAL	QTY.
01	BODY	POLYPROPYLENE	1
02	CAP	POLYPROPYLENE	2
03	"O" RING	NEOPRENE RUBBER (CR) / NITRILE RUBBER(NBR)	2

SIZE		L	B	D	ID
IN.	MM				
2"	63	178	30	94	64
2 1/2"	75	178	30	103	76
3"	90	180	30	125	92
4"	110	183	30	142	112
5"	140	185	34	174	142
6"	160	185	34	195	162

WEBSITE: [www.soildballvalveindia.com](http://www.soildballvalveindia.com)

E-MAIL ID: [anjali polymers2011@gmail.com](mailto:anjali polymers2011@gmail.com)

PHONE : M.94260 52921, 079-22901223



## ANJALI POLYMERS

NO.61, GIRIVAR GLOBE INDUSTRIAL ESTATE, SARDAR PATEL RING ROAD, NEAR SHREE RAM ESTATE, ODHAV, AHMEDABAD-382415, GUJARAT, INDIA.